

Delivery: Changhong	Date:2023-02-14	Number:
---------------------	-----------------	---------

Specification for Bluetooth and Infrared Remote Controller

Demander entry	Name of Demander Part	Infrared remote controller		
	Part code of the buyer			
	Approval of demander			
	Receive	Review	Approval	

Supplier entry	Part model of supplier	YDX 135-G174		
	Supplier	Yi Dongxing (Shenzhen)Technology Co., Ltd.		
	Supplier approval			
	A businessman	Engineering audit	Quality review	Approval
	Cheng bi mei	Hu yonghua	Wang xi jun	He jiazhen

忆东兴(深圳)科技有限公司  
 技术开发部  
 业务专用章

Remarks	

# Product specification

忆东兴(深圳)科技有限公司  
 技术开发部  
 业务专用章

Name: remote control

One.Usage: This product uses infrared ray to transmit signals and wireless remote controller to operate

Two.Scope of application: This specification is applicable to the infrared remote controller of Yidongxing Company.

Numbering	Projects	Content	Decision criteria
1、 Appearance s tructure	1.1 Appearance Color	See Annex "Appearance Drawing"	Reference sample
	1.2 Plastic Material	ABS/HIPS	
	1.3 Material of Circuit Board	T1.2mm/94HB	
	1.4 Appearance	The following items are visually confirmed ① Scratch, stain, split and deform ② Print graphics and text ③ Mingban bonding ④ Shell fit ⑤ Surface	1. No such phenomenon 2. Clear, even and tidy 3. No floating, bulging, hua marks 4. No warping, deformation or cracks 5. Uniform materials and consistent colors
2 mechanical properties	2.1 Key Force	160 g±50g (push button vertically)	The medium and small scale shall be taken as the basis for determination.
	2.2 key stroke	0.8mm ±0.3mm	
	2.3 Key Height	① The front height h is not pressed by the key.	① H < 1.5 mm
		② Height H1 when key press works	② H1 >0.7 mm
	2.4 key reset	Apply a force of 10N to the left and right ends of the 1/4 position of the key plane and the left, right, front and rear sides of the key respectively for 2 minutes	The key should be fully reset and function normally.
	2.5 Load Life of Keys	Press the key≥200,000 times with a pressing frequency of 3-5 times/second, and the number of times that the key is not in place is less than or equal to 0.5%	The key function is normal and meets the requirements of 4.1-4.7.
2.6 plug life of power supply cover plate	Plug and unplug the power supply cover plate at a frequency of 2-3 times/minute for not less than 100 times	No abnormality	
3 Use specifications	3.1 service temperature	0°C-40°C	Batteries with the same temperature range must be used.
	3.2 storage temperature	-10°C ~ +55°C	It is not necessary to remove the battery for a long time.
	3.3 battery specifications	Manganese or alkali dry cell number 7 ×2	Battery conforming to national standard

# Product specification

忆东兴(深圳)科技有限公司  
技术开发部  
业务专用章

4、 Electrical parameters	4.1 power consumption	Below 100mW		
	4.2 Static Current	Below 3uA (at DC3.0V)		
	4.3 Operating Current	Below 30mA (at DC3.0V)		
	4.4 Operating Voltage	Power supply voltage DC 3V ( -20% +10% )	2.4V-3.3V	
	4.5 carrier frequency	38KHZ± 1KHZ Power supply voltage DC3V		
	4.6 Experimental Environment	Ambient temperature : 25± 2°C ; ambient humidity : 70± 2%		
	4.7 Function Code Value	See Annex "Internal Code Table"		
	4.8 launch distance	The power supply voltage ≥DC3V receiver is our standard decoder	See distance and angle accessories	
	<b>4.9 remote control transmitting distance and angle</b>			
	4.9.1 The receiving device of the equipment is located horizontally or vertically on the optical axis of the remote controller		<ol style="list-style-type: none"> <li>1. room temperature: 25°C</li> <li>Normal humidity: 65%RH</li> <li>2. When measuring, the battery voltage is more than 1.5V*2</li> <li>3. The receiving device is our standard decoder</li> </ol>	
4.9.2 The receiving device of the equipment is taken as the reference, and the horizontal deflection angle (left and right) reaches the distance (fixed by the remote controller)		<ol style="list-style-type: none"> <li>1. room temperature: 25°C</li> <li>Normal humidity: 65%RH</li> <li>2. When measuring, the battery voltage is more than 1.5V*2</li> <li>3. The receiving device is our standard decoder</li> </ol>		
4.9.3 The receiving device of the equipment is taken as the reference, and the vertical deflection angle (left and right) reaches the distance (fixed by the remote controller)		<ol style="list-style-type: none"> <li>1. room temperature: 25°C</li> <li>Normal humidity: 65%RH</li> <li>2. When measuring, the battery voltage is more than 1.5V*2</li> <li>3. The receiving device is our standard decoder</li> </ol>		

# Product specification

	Projects	test condition	Decision criteria
<b>5、</b> Weather resistance	5-1 High Temperature Storage	Without packaging or batteries, the remote controller is placed in a test chamber with room temperature. The temperature in the test chamber is sealed at 55±3°C for 96HR hours. After being placed at room temperature for 2 hours, test whether each function is normal (if condensation or water drops exist on the high-temperature Shiyuan Lake remote controller, the test shall be conducted after it disappears)	<div style="border: 2px solid red; padding: 5px; display: inline-block; margin-bottom: 10px;">             忆东兴(深圳)科技有限公司              技术开发部              业务专用章           </div> <p>The following specifications must be met:            A meets 2.1 specifications            B meets 2.2 specifications.             C meets 2.3 specifications            D meets 4 specifications</p> <p>Note: this test refers to GB/T</p> <p>14960-2017 standard</p>
	5-2 Low Temperature Storage	The remote controller shall be placed in a test chamber with room temperature without packaging or battery (in order to prevent condensation, the remote controller shall be sealed with plastic film and tested, and moisture absorbent may be placed in the sealing sleeve if necessary). The temperature in the test chamber is -20 ± 3 °C, and 96RH is sealed. After 2RH at normal temperature, test whether each function is normal.	
	5-3 Constant Temperature and Humidity	Place the remote controller in an RH box with a relative humidity of 90-95% and a temperature of 40±3°C for 96HR hours, then take it out and place it in a normal temperature and humidity environment for 2 hours, and then test whether each function is normal (if the remote controller is dew or water drops after a high temperature test, it should be tested after it disappears)	
	5-4 Drop Test	Under the condition that the remote controller is equipped with batteries, it is free to fall from 80cm height onto a thick wooden board not less than 3cm without packaging. The falling surface of the remote controller shall be parallel to the impact surface, and each surface shall fall once. Note: 1 is the emitting surface, 2 is the front surface, 3 is the bottom surface and 4/5/6 is the side surface	
	5-5 Vibration Test	A horizontal vibration: frequency 10-20-10Hz displacement 0.15mm, axis frequency sweep 5 cycles  B vertical vibration: frequency 30-50-30Hz displacement 0.75mm, axis frequency sweep 5 cycles	

# Product specifications

Product Name: remote control (appearance / code value chart)

All materials are RoHS compliant

导电橡胶颜色为PANTONE:1795C

导电橡胶颜色为白色  
丝印颜色为PANTONE:1795C

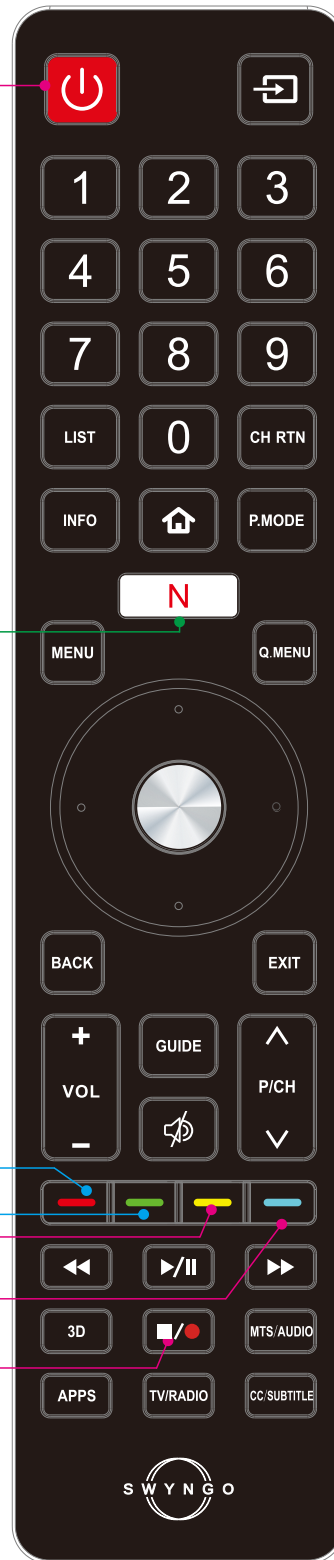
丝印颜色为PANTONE:1795C

丝印颜色为PANTONE:376U

丝印颜色为PANTONE:114U

丝印颜色为PANTONE:2995U

丝印颜色为PANTONE:1795C



★★★matters needing attention★★★

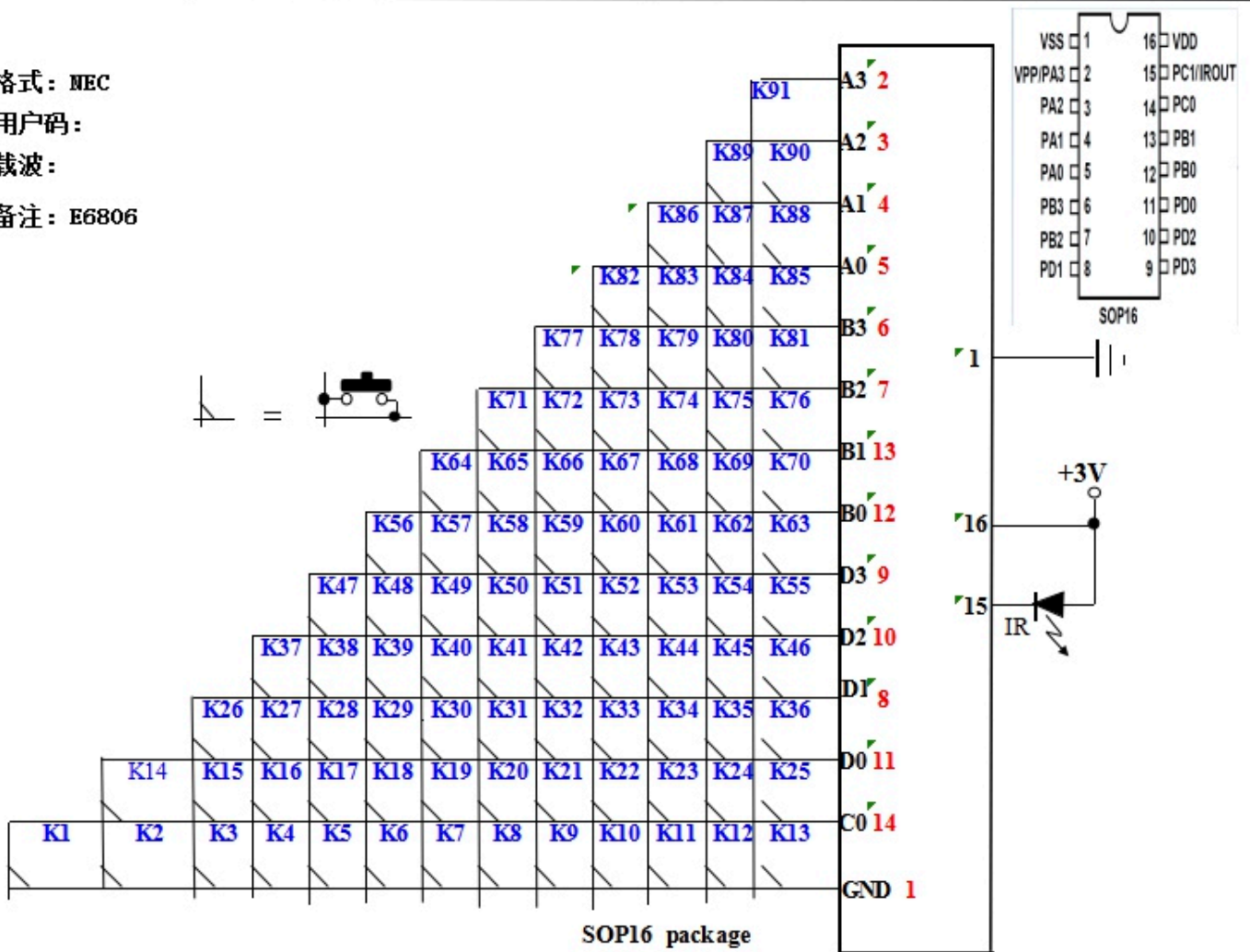
1. After recognition, all colors, fonts and characters shall be subject to the recognized samples.
2. Single packaging mode of remote control: remote control + PE plastic bag

# Specification

Name: Schematic diagram

## 原理图

格式: NEC  
 用户码:  
 载波:  
 备注: E6806

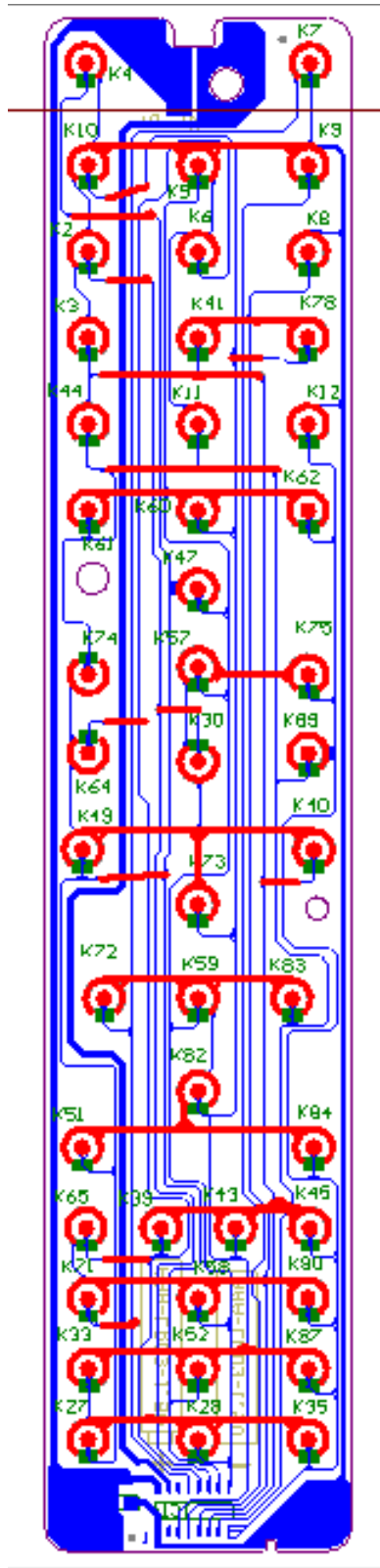


忆东兴(深圳)科技有限公司  
 技术开发部  
 业务专用章

# Specification

Product Name: PCB assembly

All materials are RoHS compliant



忆东兴(深圳)科技有限公司  
技术开发部  
业务专用章

135 PCB



# Product specifications

Product Name: material list

All materials are RoHS compliant

Serial number	Item name	Specification and model	Item description	position	Company	Consumption
1	PCB	YXS-135-OTPA	Thickness 1.2mm		PCS	1
2	Emitter LED	LIRH40B303ZF	φ4mm		PCS	1
3	Face shell	135-GK160			PCS	1
4	Conductive adhesive	135-GD173	Conductive rubber button		PCS	1
5	Shrapnel(+)	135# (+)			PCS	1
6	Shrapnel(-)	135# (-)			PCS	1
7	Spring(±)	135# (±)			PCS	1
8	Pot slices	YXS-135-OTP			PCS	1
9	Plastic bag	7.5*28.5 CM			PCS	1
10	IC	E6806-2			PCS	1

Important remarks:

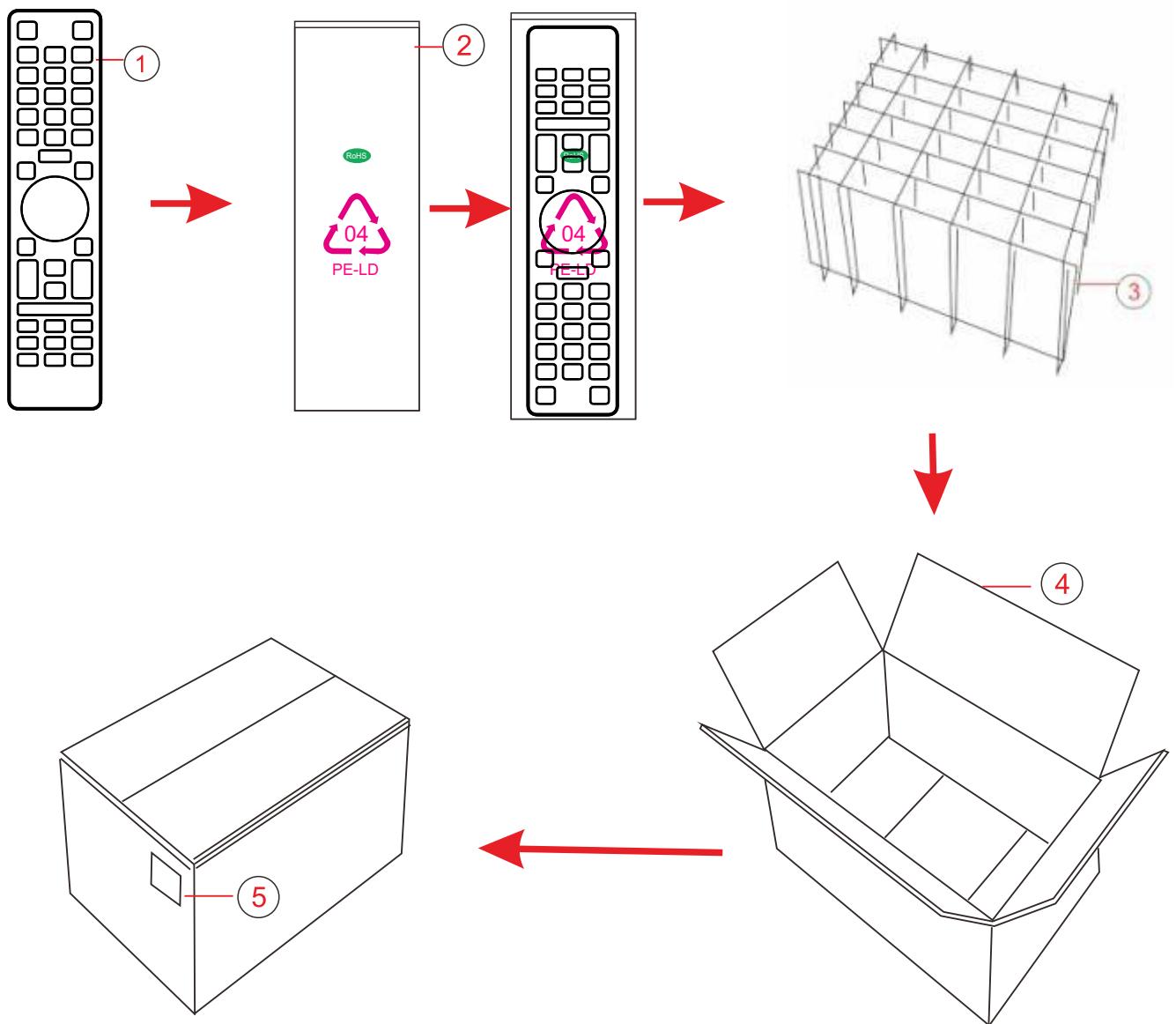
忆东兴(深圳)科技有限公司  
技术开发部  
业务专用章





# Packing method:

(1) Packing method:



忆东兴(深圳)科技有限公司  
技术开发部  
业务专用章

(2) Capacity of each box: 150pcs / box

(3) Outer box size: 65X37X24 cm